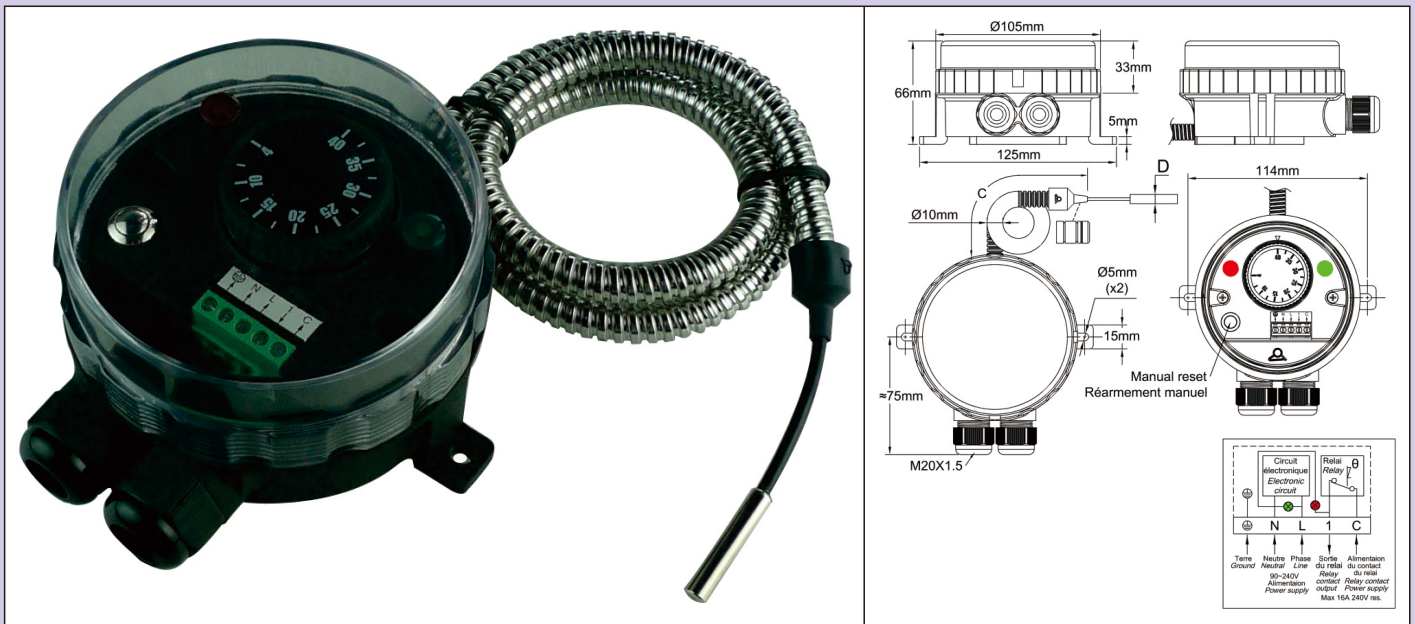


# Remote sensor adjustable manual reset electronic limiters

Enclosure	Type	Operation	Contact	Measurement	Ranges °C	Models
IP66,IK10	Limiter	Electronic	SPNO or SPNC	Remote		<b>YF93NC &amp; YF95NC</b>
Material						
PA66 & PC						



## Applications

- **Equipment requesting a very strong resistance to water ingress. The transparent cover allows to visualize the set point and the 2 pilot lights.**

- Use of electronic sensor allows **measurement at long distances**, which is not possible with bulb and capillary types.
- Manual reset allows the use as **high temperature alarm**

**Housing:** Protection class IP 66 upon EN 60529 (waterproof spray water under high pressure and sea splashes, totally dust tight). Body in black PA66, fiber glass reinforced. The transparent polycarbonate cover can be unscrewed by hand, but it is also possible to use a hook spanner.

**Set point adjustment:** By °C printed knob. All types have an adjustable rotation limit system located inside the knob that allows reducing the set point adjustment span. °F printed knobs available as an option

**Operation:** Microprocessor electronic thermostat.

**Sensing element:** NTC or Pt100 sensor, diameter D = 5mm. The sensor cable is protected by a stainless steel corrugated pipe terminated by a silicone tip. A plastic cap plug provided as standard accessory allows locking the flexible metal conduit inside a pocket (See pockets in the accessories section). Standard cable length 2m. Other lengths on request.

**Pilot lights:** One pilot light visualizes the thermostat contact output position. The other visualizes the power supply input. Phase and neutral supply lines are mandatory for these pilot lights.

**Set point adjustment ranges:** -35-35°C (-30+95°F) ; 0-10°C (32-50°F) ; 4-40°C (40-105°F) ; 30-90°C (85-195°F) ; 30-110°C (85-230°F) ; 50-200°C (120-390°F) ; 50-300°C (120-570°F) ; 100-400°C (210-750°F) ; 100-500°C (210-930°F).

**Manual reset button:** located beside the knob

**Cable input and output:** Two M20 cable glands, built-in black PA66.

**Electrical connections:** Inside, on screw terminal connection block. It is possible to connect 2 wires 1.5mm<sup>2</sup> on each terminal.

**Earthing:** Internal screw terminal.

**Mounting:** Wall mounting, by 2 legs with holes for screws dia. 4 to 5 mm, 114 mm distance

**Identification:** Identification label on backside

**Contact:** SPST. 16A (2.6), 250VAC. Open or close on temperature rise.

Model with contact closing on temperature rise is used to switch on an alarm. Version with contact opening on temperature rise is used to switch off heating.

**Electrical life:** >100.000 cycles.

**Minimum storage temperature:** -35°C (-30°F)

**Maximum ambient temperature:** 60°C (140°F)

For more technical information see 2PE2N6 thermostat technical data sheet

# Remote sensor adjustable manual reset electronic limiters

(P2)

## Main references

Temperature adjustment ranges °C (°F)	Temperature sensor	References with SPNC, open on temperature rise contact	References with SPNO, close on temperature rise contact
-35+35°C (-30+95°F)	NTC (10KOhms @25°C)	YF93NC350352051J	YF95NC350352051J
0-10°C (32-50°F)	NTC (10KOhms @25°C)	YF93NC000102051J	YF95NC000102051J
4-40°C (40-105°F)	NTC (10KOhms @25°C)	YF93NC040402051J	YF95NC040402051J
30-90°C (85-195°F)	NTC (10KOhms @25°C)	YF93NC000902051J	YF95NC000902051J
30-110°C (85-230°F)	NTC (10KOhms @25°C)	YF93NC301102051J	YF95NC301102051J
50-200°C (120-390°F)	Pt100	YF93NC502002051J	YF95NC502002051J
50-300°C (120-570°F)	Pt100	YF93NC503002051J	YF95NC503002051J
100-400°C (210-750°F)	Pt100	YF93NCA04002051J	YF95NCA04002051J
100-500°C (210-930°F)	Pt100	YF93NCA05002051J	YF95NCA05002051J

°F printing: replace last character (J) by K  
Character 12 gives the sensor cable length (2m)

## Knob printings

°C Printing				
-35+35°C	0-10°C	4-40°C	30-90°C	30-110°C
50-200°C	50-300°C	100-400°C	100-500°C	

°F Printing				
-30+95°F	32-50°F	40-105°F	85-195°F	85-230°F
120-390°F	120-570°F	210-750°F	210-930°F	